



TimbeX[®]

Installation Guide

V1-2026

CRITICAL INSTALLATION REQUIREMENTS

Drainage and Ventilation

- **Prevent** water accumulation beneath the flooring.
- **Maintain** continuous airflow throughout the entire structure.

Subfloor Clearance

- **Ensure** adequate height between the ground and the subfloor to allow for proper ventilation.

Joist Spacing Specifications

Application	Board Orientation	Max. Center-to-Center Spacing
Residential	Perpendicular	16" on center (O.C.)
Commercial/Public	Perpendicular	12" on center (O.C.)
Residential	Diagonal	16" on center (O.C.)
Commercial/Public	Diagonal	12" on center (O.C.)

Board Joint Support

- Use sister joists at board ends connections.

Joist Protection

- Apply joist sealing tape on wooden joists.

Fastening System

- Exclusively use screws specified by the manufacturer.

Pre-Installation Storage

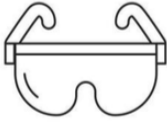



- Store flat on rigid, leveled surfaces.
- Prohibited: grass, soil, or uneven substrates.

Sealing of Cut Ends






Each time a board is cut, immediately seal all exposed ends with a thick coat of TimbeX paint.

Chapter 1 : Safety and Preparation

1.1 Safety protection

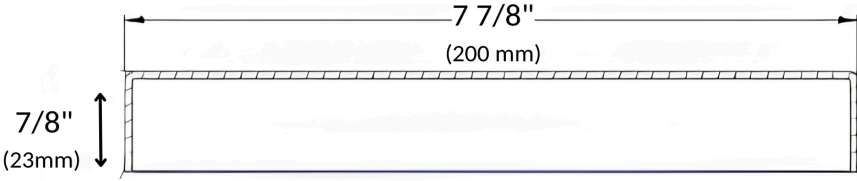




			
Goggles	Earplugs	Dust mask	Cut-resistant gloves

1.2 Liste d'outils

				
Level ruler	Tape measure	Electric drill	Handheld cutter	Cutting machine

⚠ Do not operate power tools on wet surfaces. Fix materials to prevent rebound when cutting.

1.3 TimbeX products and accessories

			
Decking board — 8' (L) x 7 7/8" (W)			
			
Screw SSL T15	Facing screwdriving bit	Spacer 3/16" (5mm) & 1/8" (2mm)	Coating TimbeX 200ml

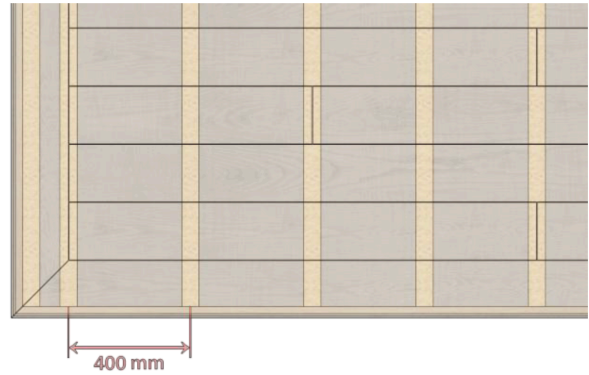
Chapter 2 : Installation of TimbeX Deck

2.1 Assembling underframe

2.1.1 Spacing for underframe

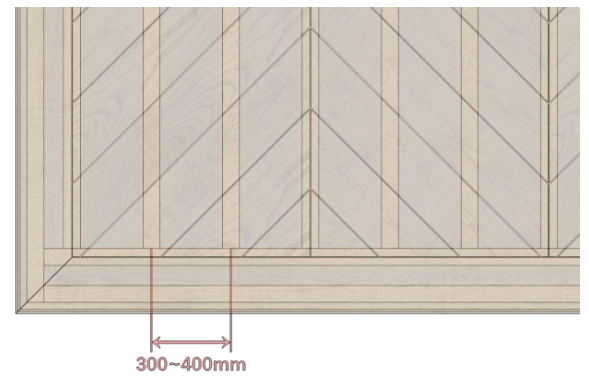
Board Orientation-Perpendicular :

- 16" c/c (400mm) for residential and commercial

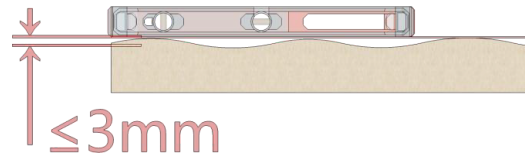
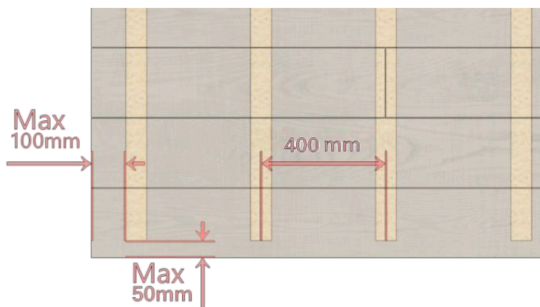


Board Orientation-Diagonal:

- 12" c/c (300mm) for commercial
- 16" c/c (400mm) for residential



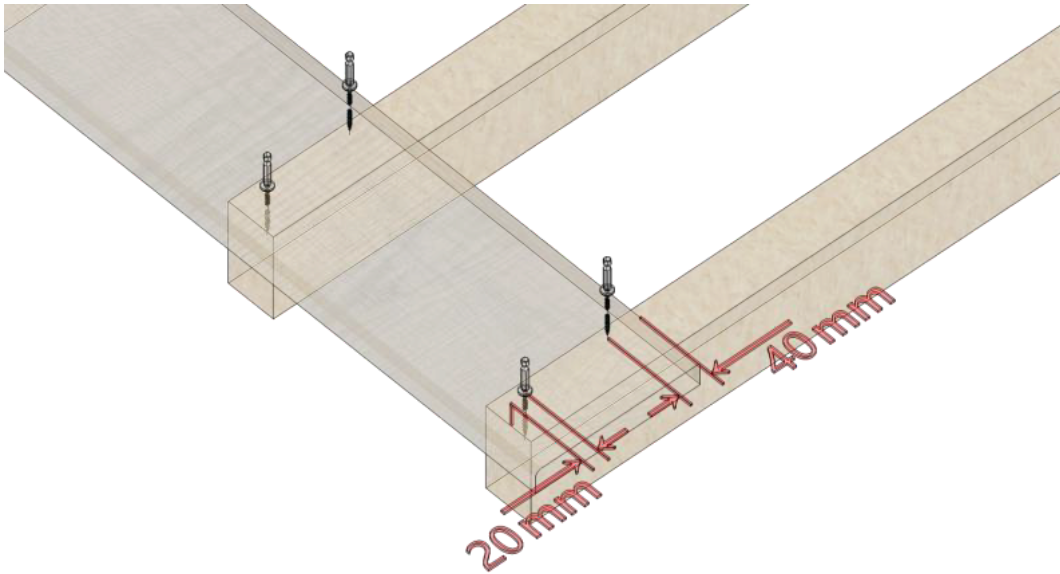
2.1.2 Things to note when assembling underframe



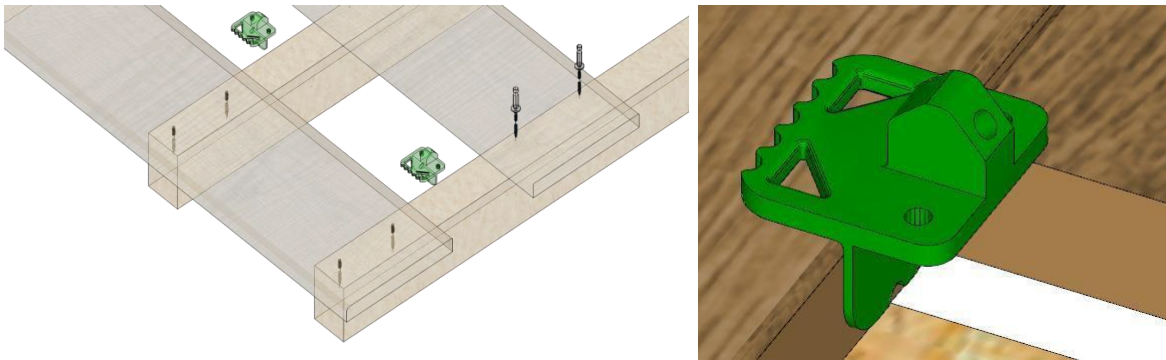
- Horizontal hanging space maximum is 4" (100mm).
- Vertical hanging space maximum is 2" (50mm).
- Underframe flatness tolerance: $\leq 1/8"$ (3mm) per 6 ft (2m).

2.2 Installation decking boards by facing-screw

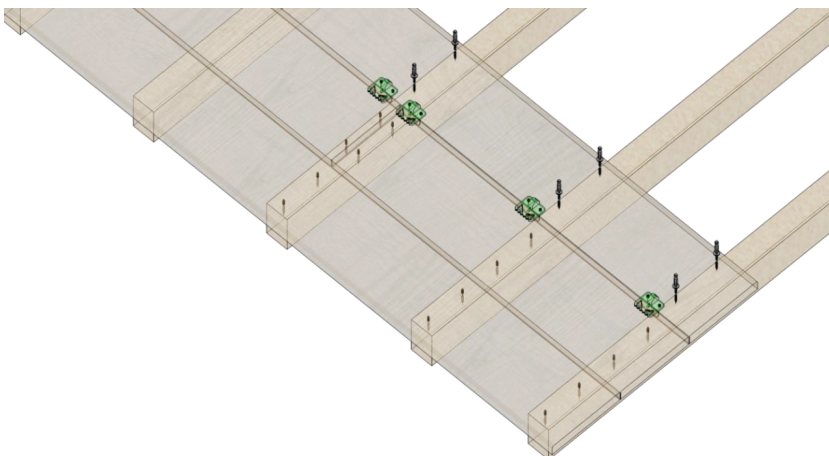
Step 1: Use a TimbeX board as a starter board. Secure it using TimbeX-SSL T15 screws, placed $\frac{3}{4}$ " (20 mm) and $1 \frac{9}{16}$ " (40 mm) from the edges.



Step 2: Install the second board using the TimbeX spacer: $\frac{1}{8}$ " (2mm) and $\frac{3}{16}$ " (5mm) options.

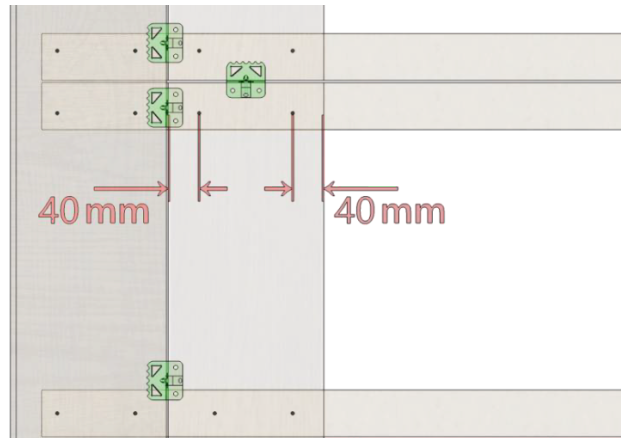


Step 3: Continue the installation until the final board.

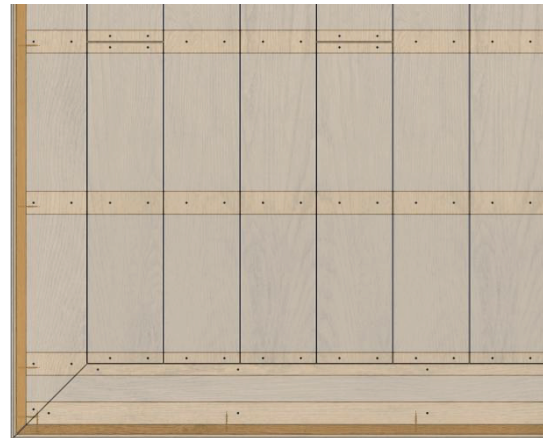


2.3 Additional Informations

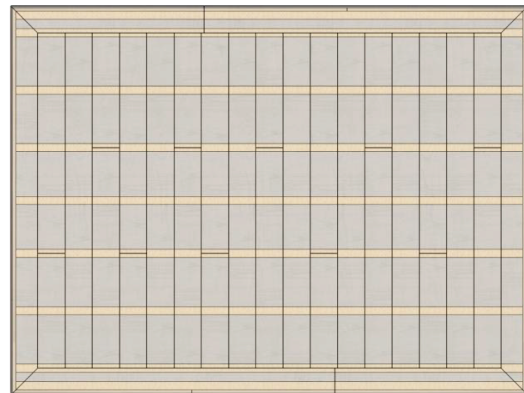
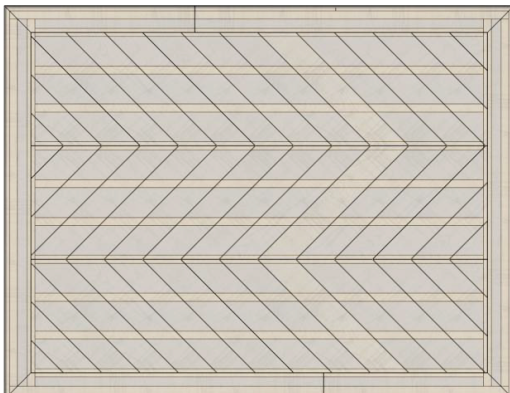
2.3.1 Use double-joist at the joint if the bearing surface of the joist is less than 1' 9/16" (40mm).



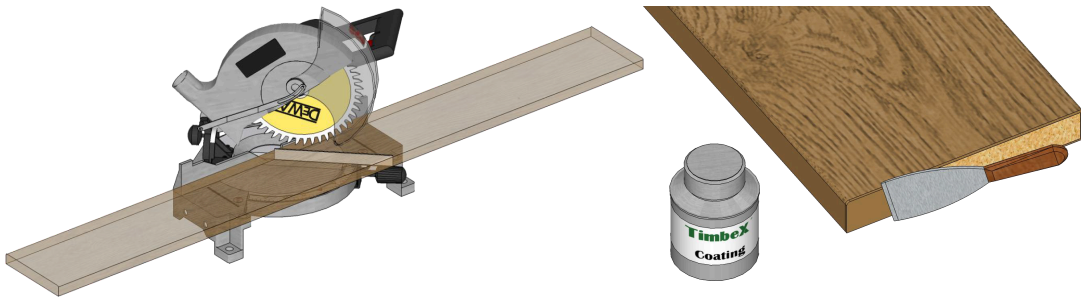
2.3.2 External corner splicing and nailing



2.3.3 Available board orientation: Perpendicular and Diagonal



2.3.4 Cut-End Sealing : whenever a board is cut, immediately seal all exposed cut ends with a thick coat of TimbeX paint.



Chapter 3: Maintenance

3.1 Surface Contaminants

- **3.1.1 Dust/Dirt:** Low-pressure rinse (max. 120 bar / 1750 psi).
- **3.1.2 Biological Growth:**
 - Treat with warm soapy water and a soft nylon brush.
 - Persistent Mold/Mildew: Use an oxygen-based cleaner (chlorine-free).

3.2 Winter Conditions

- **3.2.1 Snow Removal:** Plastic shovel only (metal tools prohibited).
- **3.2.2 De-icing:** Calcium chloride exclusively.
 - Residue: Clean with warm soapy water and a soft brush.
 - Prohibited: Rock salt or ammonium nitrate-based products.

3.3 Stain Treatment

Type de tache	Traitement
Grease/Oil	1. Warm soapy water + soft brush 2. Apply a biodegradable degreaser
Food Spills	Immediate rinse with warm water + pH-neutral cleaner

3.4 Biological Control

3.4.1 Mold Prevention:

- Ensure a 2" (5cm) ventilation gap beneath the flooring.
- Perform an annual treatment with a composite-compatible algaecide.

3.4.2 Pressure Washing:

- Max. 120 bar (1750 psi) — Minimum nozzle distance: 12" (30cm).
- 15° fan nozzle required.

3.5 Thermal Hazard Prevention

3.5.1 Prohibited Heat Sources

- Charcoal grills, fire pits, or ember containers.

3.5.2 Safety Distance:

- Maintain a minimum distance of 5 ft (1.5 m) from open flames.

Timbex[®]



info@timbex.com

1-866-689-2262

www.timbex.com